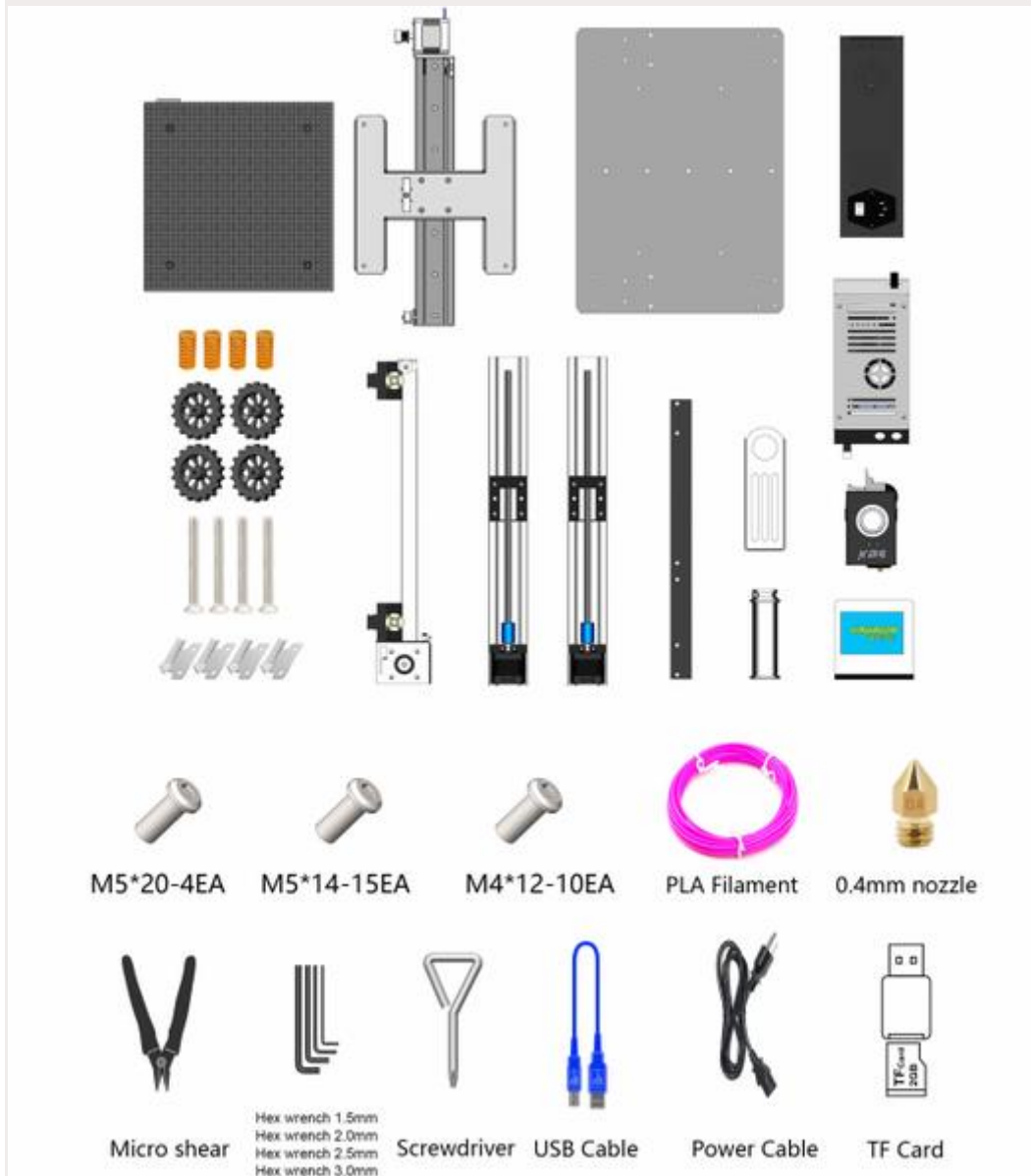


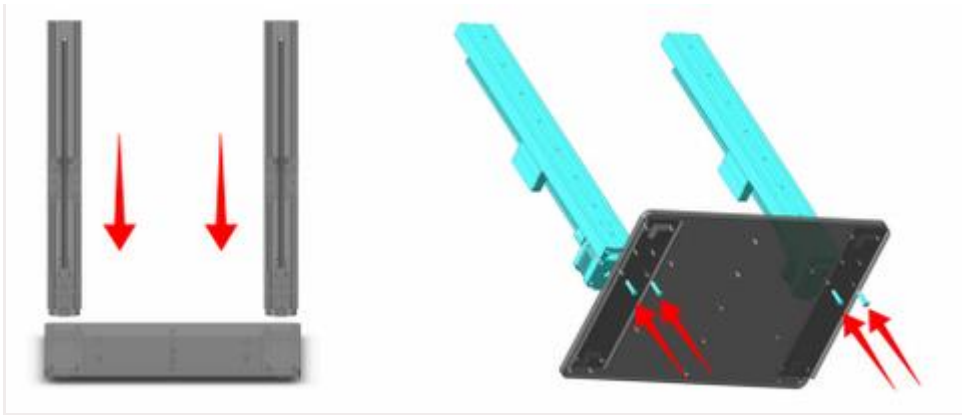
Kingroon KP5L (DIY Version) Assembly Manual

Packaging List of Kingroon KP5L 3D Printer

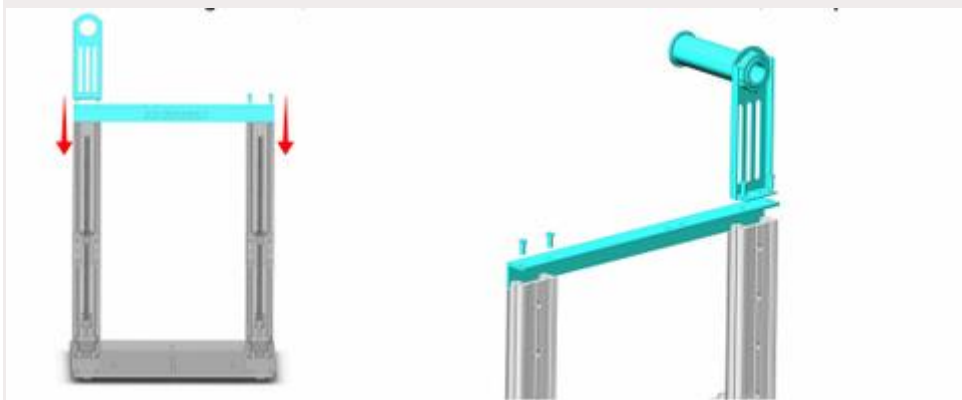


Assembly Instruction of Kingroon KP5L DIY Version

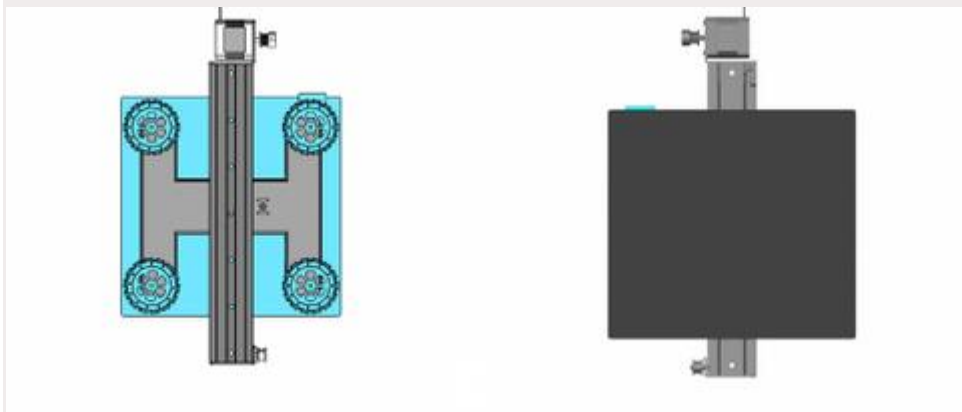
Step 1. Fix the two Z-axis on the bottom panel with M5*20 screws, as show below.



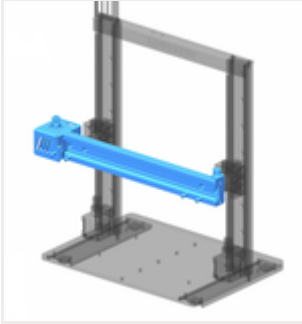
Step 2. Take the top aluminum part and the filament rack out. Use M5*12 screws to fix them on the Z-axis guide rail.



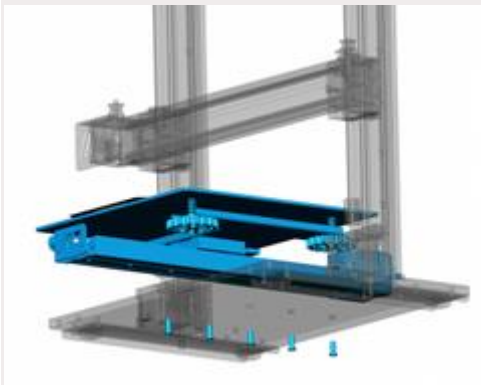
Step 3. Take out the heatbed of your Kingroon KP5L, and the leveling nuts and springs. Assemble them together and install the heatbed on the Y-axis of Kingroon KP5L 3D printer.



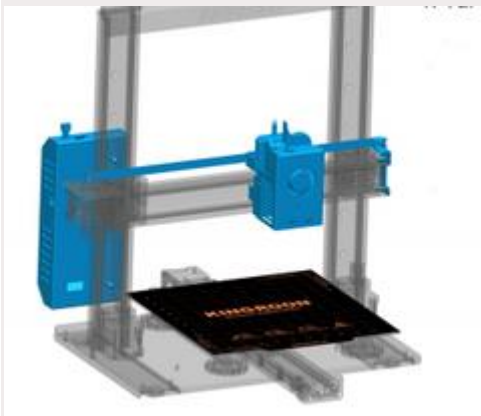
Step 4. Fix X-axis with 4 M5*12 screws on the Z-axis as shown in the picture.



Step 5. Take out the the heatbed and Y-axis that already assembled in Step 3, and fixed it on the acrylic board with 5 M5*12 screws as shown below.

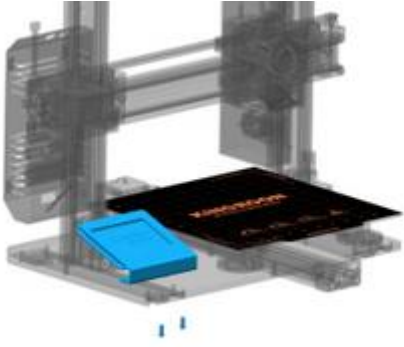


Step 6. Disassemble the metal block on the right top of the X-axis. Push the extruder head on the X-axis from the right side. Assemble the timing belt around the pulley. Then put the metal block on the right top back and fix with screws.



Step 7. Take out the power supply and fix it on the right Z-axis guide rail with M4*6 screws.

Step 8. Fix the LCD display with 2 M4*12 screws.



Wiring Instruction of Kingroon KP5 3D Printers

